

IPA

Denomination: **NYLON ANCHOR FOR HOLLOW BRICKS AND SOLID MATERIALS**

Codes: IPA

Reference: FT IPA-en

Date: 03/10/18

Revision: 0

Page: 1 of 7



IPA-GR



IPA-GN



IPA-AR



IPA-TO

CHARACTERISTICS

Anchor plugs for hollow bricks and solid materials installations.

Fast solution for installation without loading requirements.

Use: fixing in hollow bricks, concrete hollow blocks, drywall, etc.

BASE MATERIAL



IPA

Denomination: **NYLON ANCHOR FOR HOLLOW BRICKS AND SOLID MATERIALS**

Codes: IPA









Reference: FT IPA-en

Date: 03/10/18

Revision: 0

Page: 2 of 7

1. RANGE

ITEM	CODE	DIMENSIONS	PHOTO	MATERIAL
1	IPA-GR	From M4 x 40 Ø9 until M5 x 45 Ø12		
2	IPA-GN	From M4 x 40 Ø9 until M5 x 45 Ø12		
3	IPA-AR	From M4 x 40 Ø9 until M5 x 45 Ø12		
4	IPA-TO	From M4 x 40 Ø9 until M5 x 45 Ø12		

IPA

Denomination: **NYLON ANCHOR FOR HOLLOW BRICKS AND SOLID MATERIALS**

Codes: IPA

Reference: FT IPA-en

Date: 03/10/18

Revision: 0

Page: 3 of 7

2. INSTALLATION DATA

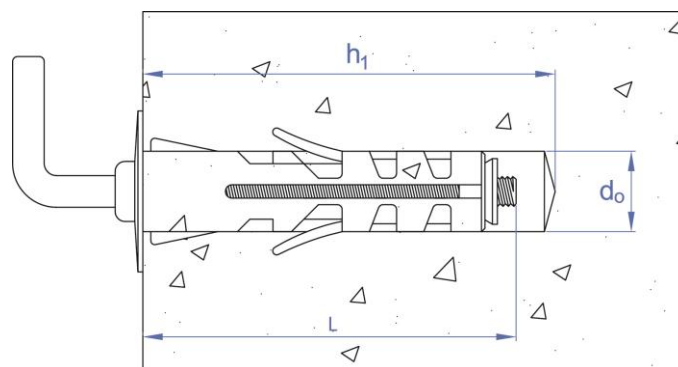
2.1 IPA-GR

Square bend hook



Installation data

CODE		IPAGR09	IPAGR12
Metric	[mm]	M4	M5
L: Length	[mm]	40	47
d _o : Ø drill bit	[mm]	Ø9	Ø12
h ₁ : Minimum drill hole depth	[mm]	45	50



IPA

Denomination: **NYLON ANCHOR FOR HOLLOW BRICKS AND SOLID MATERIALS**

Codes: IPA

Reference: FT IPA-en

Date: 03/10/18

Revision: 0

Page: 4 of 7

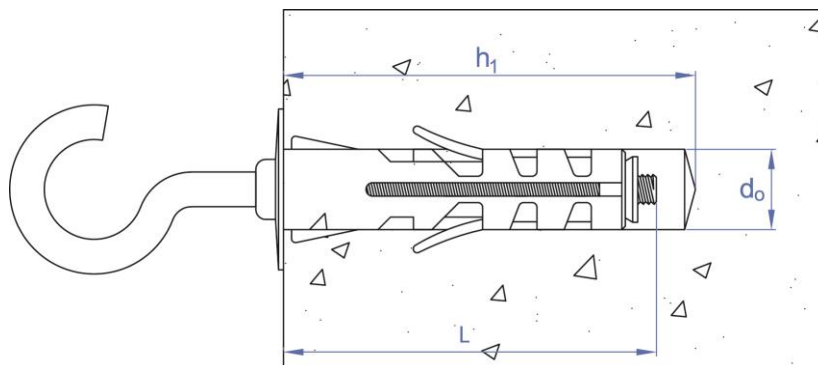
2.2 IPA-GN

Hook



Installation data

CODE		IPAGN09	IPAGN12
Metric	[mm]	M4	M5
L: Length	[mm]	40	47
d _o : Ø drill bit	[mm]	Ø9	Ø12
h ₁ : Minimum drill hole depth	[mm]	45	50



IPA

Denomination: **NYLON ANCHOR FOR HOLLOW BRICKS AND SOLID MATERIALS**

Codes: IPA

Reference: FT IPA-en

Date: 03/10/18

Revision: 0

Page: 5 of 7

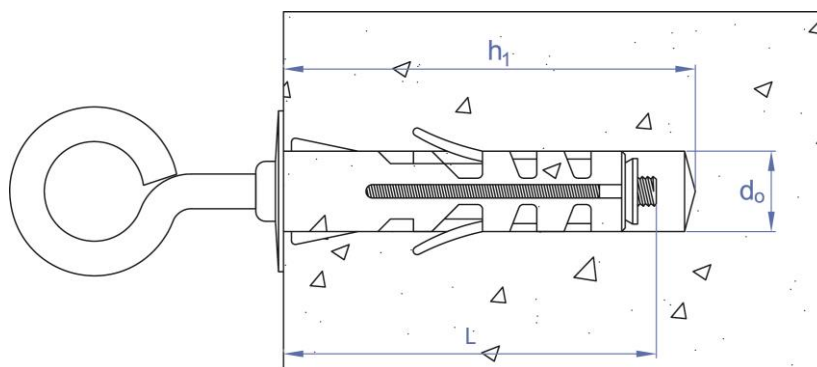
2.3 IPA-AR

Eye bolt



Installation Data

CODE		IPAAR09	IPAAR12
Metric	[mm]	M4	M5
L: Length	[mm]	40	47
d _o : Ø drill bit	[mm]	Ø9	Ø12
h ₁ : Minimum drill hole depth	[mm]	45	50



IPA

Denomination: **NYLON ANCHOR FOR HOLLOW BRICKS AND SOLID MATERIALS**

Codes: IPA

Reference: FT IPA-en

Date: 03/10/18

Revision: 0

Page: 6 of 7

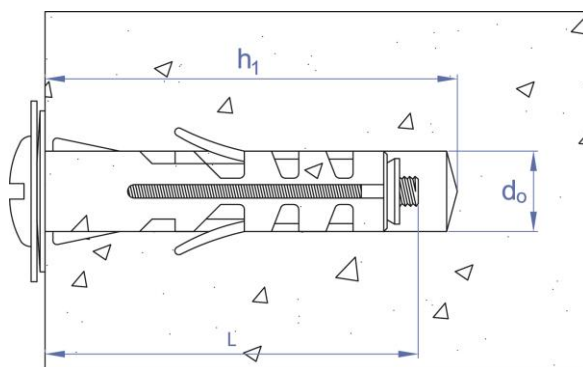
2.4 IPA-TO

Screw



Installation Data

CODIGO		IPATO09	IPATO12
Metric	[mm]	M4	M5
L: Length	[mm]	40	47
d _o : Ø drill bit	[mm]	Ø9	Ø12
h ₁ : Minimum drill hole depth	[mm]	45	50



IPA

Denomination: **NYLON ANCHOR FOR HOLLOW BRICKS AND SOLID MATERIALS**

Codes: IPA

Reference: **FT IPA-en**

Date: **03/10/18**

Revision: **0**

Page: **7 of 7**

3. LOADS

MAXIMUM LOADS RECOMENDED [kg]								
ANCHOR CODE	IPAGR09	IPAGR12	IPAGN09	IPAGN12	IPAAR09	IPAAR12	IPATO09	IPATO12
MATERIAL								
NON-CRACKED CONCRETE	8	12	8	12	8	12	8	12
HOLLOW BRICK	8	12	8	12	8	12	8	12